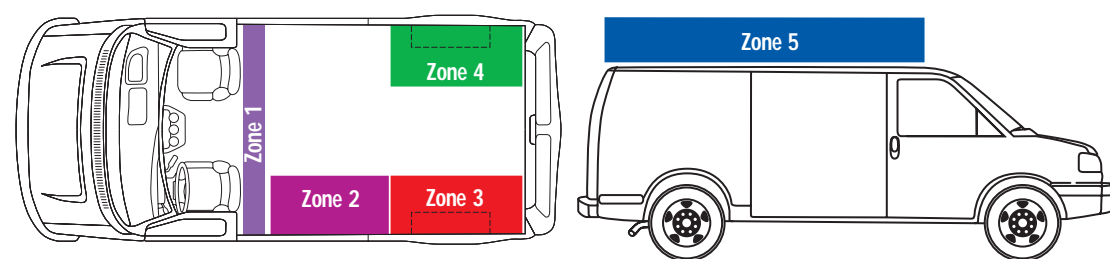


If you are looking for equipment to organize your cargo van, you have come to the right place. Adrian Steel has all the storage products you will need, and the tools to put them all together to best utilize the space in your vehicle. This catalog is set up to walk you through the product categories as you would add them into your vehicle. Follow these simple steps to create an interior that fits your needs:



Zone 1

Partition

- Choose partition style: solid, perforated, hinged door, sliding door, clear polycarbonate.
- Check chart on page 7 for vehicle fit.
- Choose the standard or additional 3" partition setback wing kit.
- Add accessories on both cab and cargo sides from pages 9.



Zone 2

Zone 3

Zone 4

Curbside & Streetside

- Use layout diagrams on page 5 to determine the amount of space available in your vehicle.
- Choose from a variety of shelving units and modules that will best organize the tools and equipment you need to carry. Pages 10-25.



Zone 5

Roof

- Determine what will be carried: ladders, sheet goods, conduit, etc.
- Choose from LoadsRite, Grip-Lock and Ladder Keeper for specifically carrying ladders.
- Utility and Cargo racks can carry a variety of cargo and ladders.
- Add rack accessories including step ladder kits, ratchet straps, conduit carriers and more from pages 39, 41, 43, and 46.

Additional Storage

- Determine the space needed for specialty equipment: tank racks (pg 31), lockers (pg 18-19), reel holders (pg 32), Stow-All floor drawers (pg 28-29), and more.
- Add accessories like door kits, drawer units, hooks and more to the shelving and modules. Accessories and more are on pages 32-33.

Zone 1: Partition

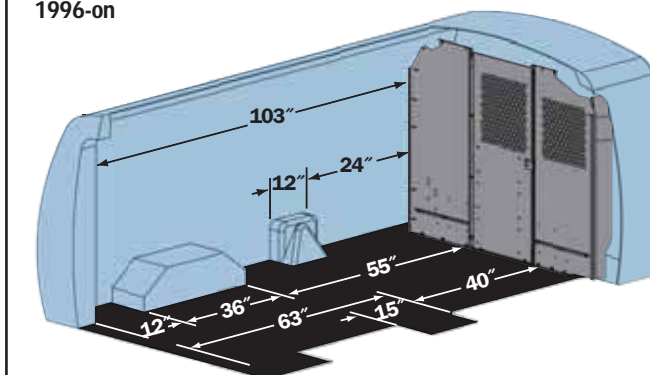
Zone 2: Streetside front

Zone 3: Streetside rear

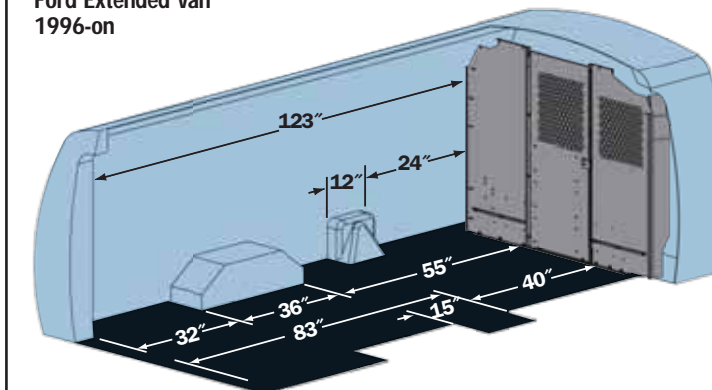
Zone 4: Curbside

Zone 5: Roof

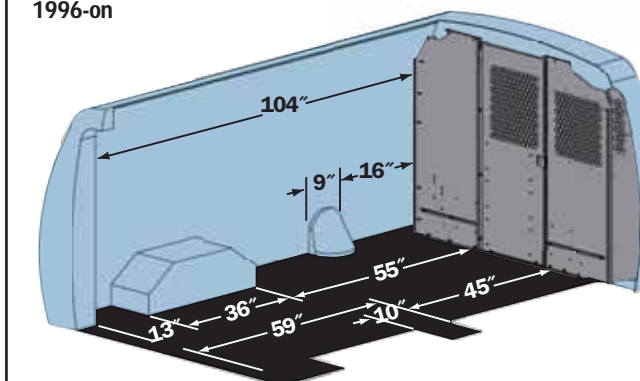
Ford Full-Size Van
1996-on



Ford Extended Van
1996-on



GM Full-Size Van
1996-on



GM Extended Van
1996-on

